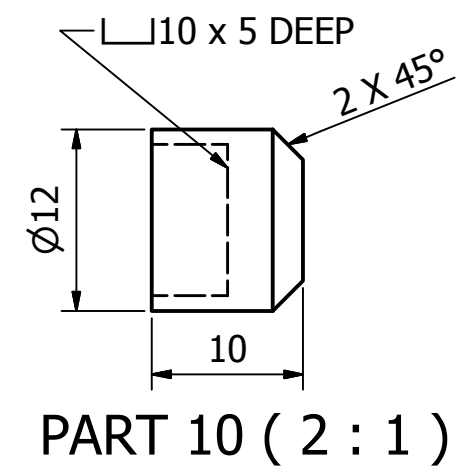
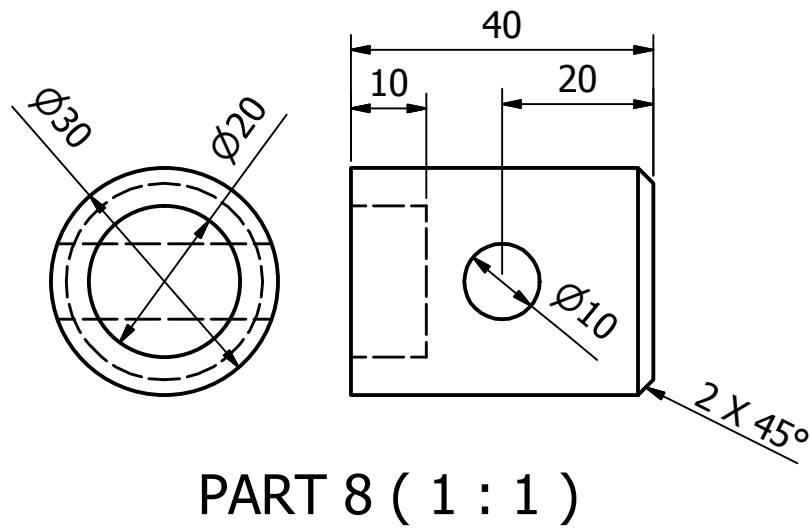
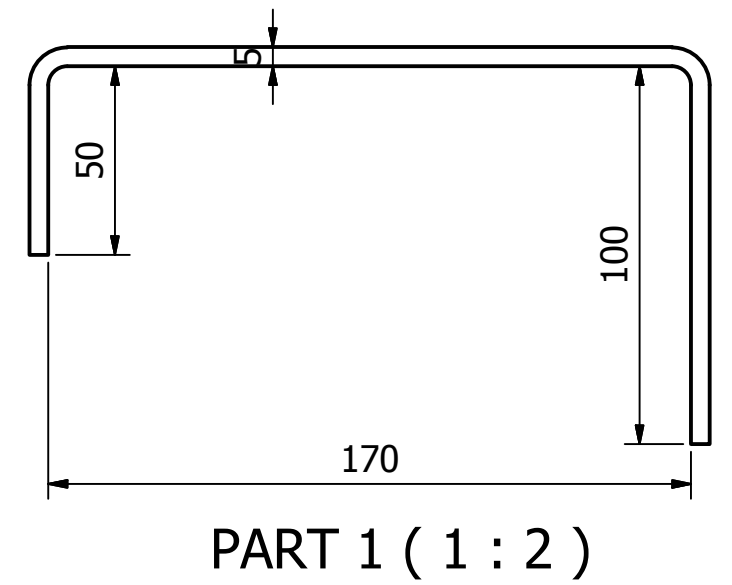
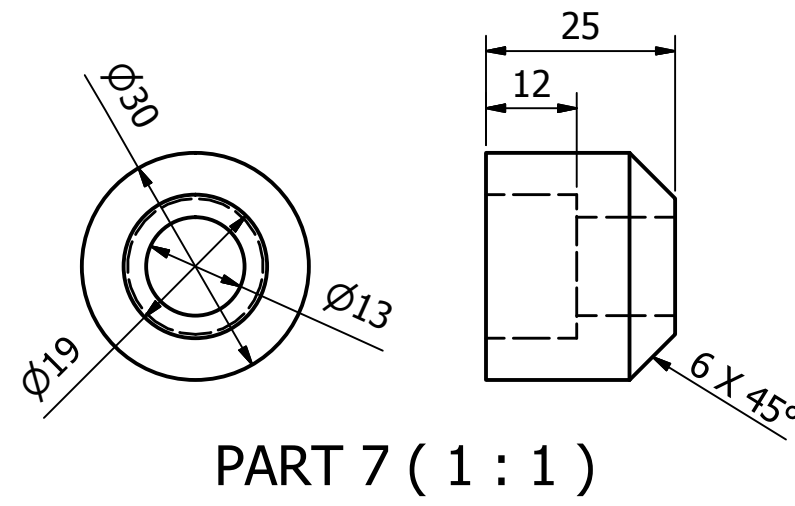
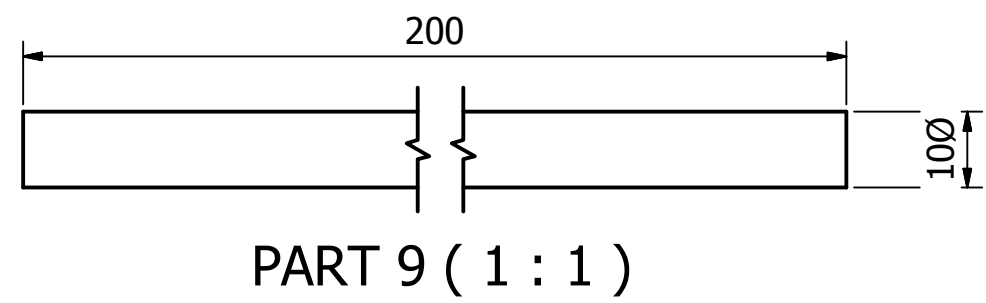
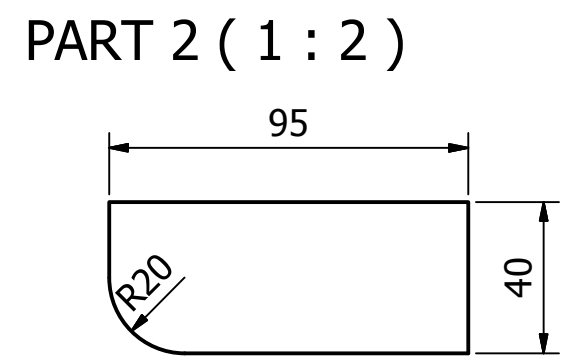
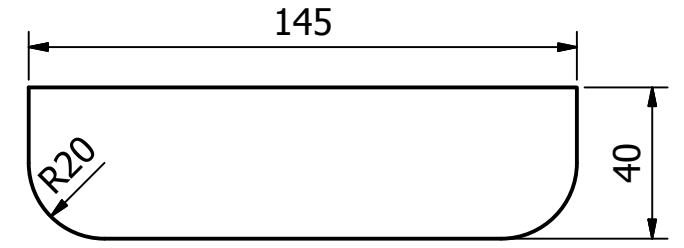
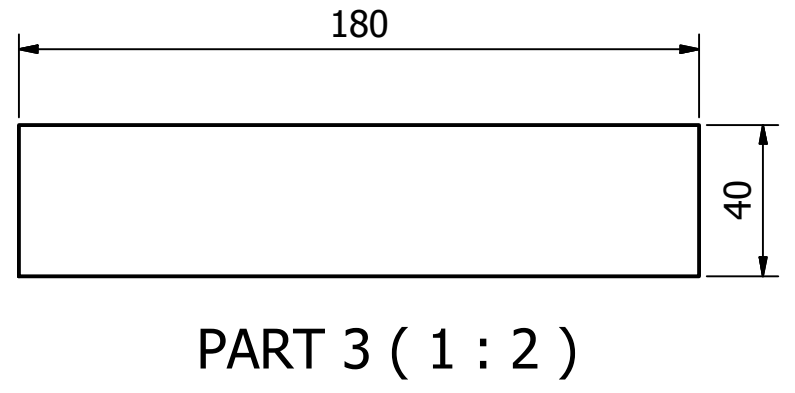
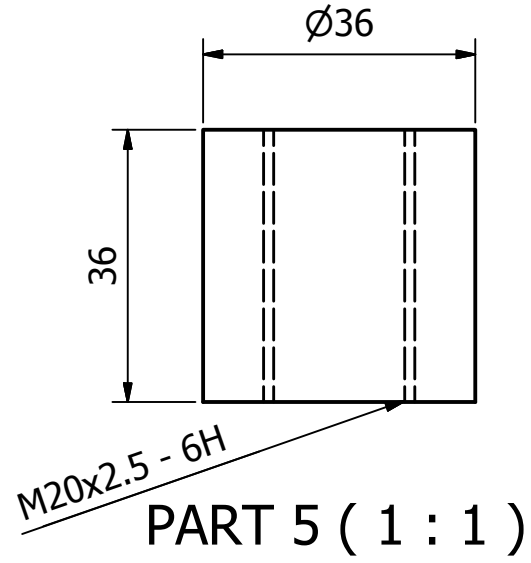
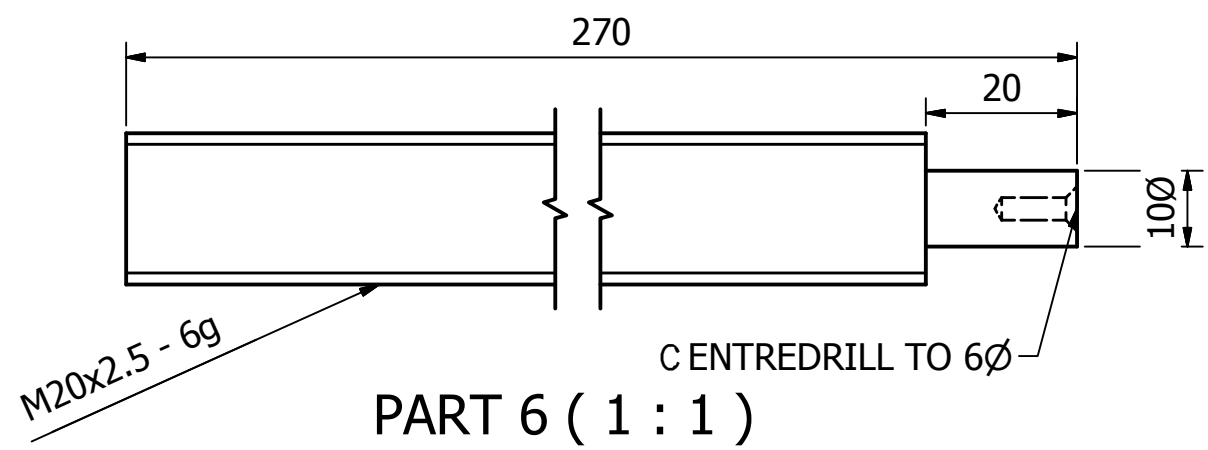


10	2	HANDLE CAP	12 RMS
9	1	HANDLE	10 RMS
8	1	SPINDLE HEAD	38 RMS
7	1	SPINDLE CAP	38 RMS
6	1	SPINDLE	THREADED ROD M20x2.5
5	1	BOSS	38 RMS
4	1	FRAME BRACE TOP	40x5 FMS
3	1	FRAME BRACE BACK	40x5 FMS
2	1	FRAME BRACE LOWER	40x5 FMS
1	1	FRAME	40x5 FMS
PART NO.	QTY	DESCRIPTION	STOCK

Designed by GCC	Checked by	Approved by	Date	Date 25/08/2016
GOOD COUNSEL COLLEGE		G CLAMP		
ASSEMBLY		Edition	Sheet 1 / 1	



Designed by GCC	Checked by	Approved by	Date	Date 25/08/2016
SCALES AS SHOWN		G CLAMP		
DETAIL DRAWINGS		Edition	Sheet 1 / 1	